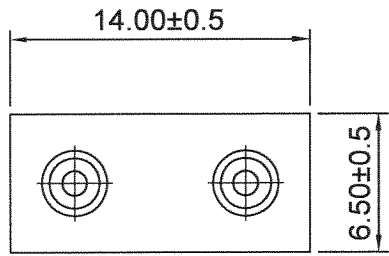
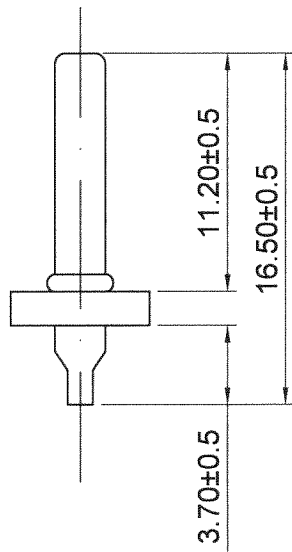
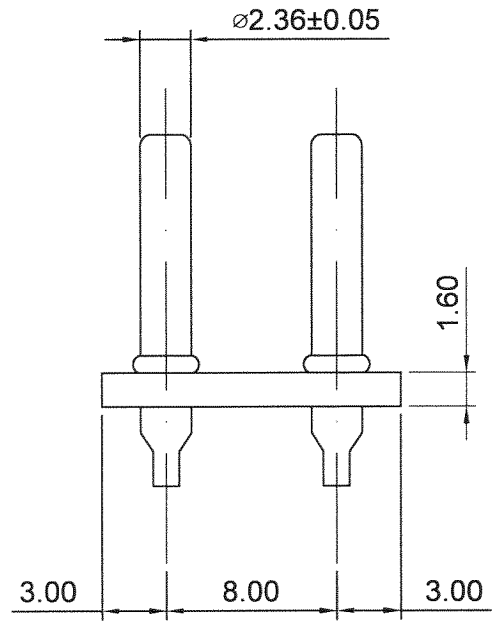


**RoHS**  
Compliant  
2002/95/EC



**SPECIFICATION**  
 CURRENT RATING : 5A, AC, DC, 250V  
 WITHSTANDING VOLTAGE : 1500 VAC/min.  
 INSULATION RESISTANCE : 1000 MΩ min.  
 TEMPERATURE RANGE : -25°C ~ +85°C  
 CONTACT RESISTANCE : INITIAL VALUE / 10mΩ MAX,  
 AFTER ENVIRONMENTAL TESTING / 20mΩ MAX.  
 PIN : BRASS, TIN PLATED  
 INSULATOR MATERIAL : PHENOLIC BAKELITE(94V-0)



**JAWS** 兆旭股份有限公司  
**JAWS CO., LTD.**  
 7F-1, NO.31, Lane 169, Kang Ning Street,  
 Hsichih, Taipei Hsien, Taiwan.  
 TEL:886-2-2692-2898  
 FAX:886-2-2692-2618  
 Http://www.jaws.com.tw

|                        |             |   |
|------------------------|-------------|---|
| THIRD ANGLE PROJECTION |             | DESIGN UNITS<br>mm <input type="checkbox"/> INCH <input type="checkbox"/> |
| SIZE: A4               | SCALE: FREE | SHEET: 1/1  |
| CPN NO.:               |             | DAN NO.: S9610-021  |

|                               |
|-------------------------------|
| TITLE:<br>ø2.36 WAFER         |
| PARTS NO.:<br>4236A-WS-02T-A  |
| DWG NO.:<br>JAWS-SOP-4236A005 |
| REV.:<br>01                   |

|                              |                |                  |
|------------------------------|----------------|------------------|
| GENERAL TOLERANCES:<br>±0.20 | DRAWN<br>游熾瑩   | DATE<br>96/10/08 |
|                              | CHECK<br>郭坤峰   | DATE<br>96/10/8  |
|                              | APPROVE<br>陳世寬 | DATE<br>96.10.9  |